

LIVING DISTRICT

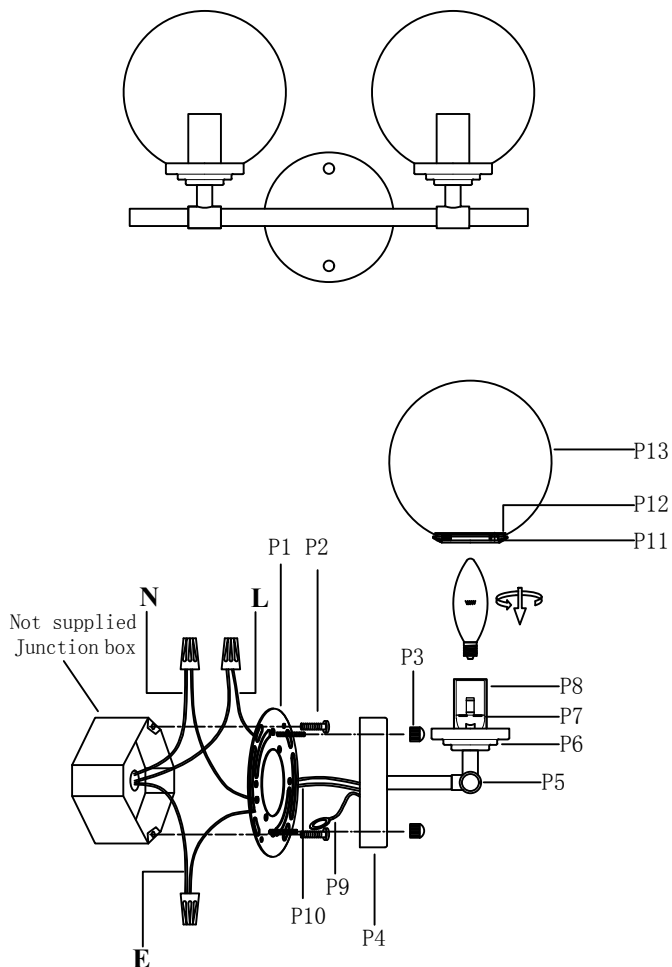
Collection:Silas

Installation manual for:

LD7302W15CH W15"*E6.9" H9.9" L2

Installation instructions:

1. Black wire from ceiling(junction box) attaches to "L"wire from the fixture.
 2. White wire from ceiling(junction box) attaches to "N"wire from the fixture.
 3. "E" wire from the fixture is attached to the mounting bracket and an additional "E" wire from the mounting bracket must be secured to the junction box.
 4. Secure mounting bracket to the junction box.
 5. Insert the mounting bracket screw(P2) into the mounting bracket (P1).
 6. Using the nut(P3) to lock the lamp body onto the mounting bracket (P1) on the wall.
 7. Install E12 light source.(Bulbs not supplied).
 8. Twist the glass shade(P13) onto the lamp body.
- The end!



Part Number	Part	Picture	Description	Qty	
MB7R03	P1		Mounting bracket Φ4"*H1.2"	1	
	P2		Mounting bracket screw	2	
P-LD7302W15CH-1	P3		Nut	2	
	P4		Backplate (Φ4.7"*H1")	1	
	P5		Double head tube (L14.5"*H1.6")	1	
	P6		Multilayer cup Φ2.8"*H0.8"	2	
	P7		Light cup Φ1.2"*H2.0"	2	
	P8		E12 holder	2	
	P9		UL18#Ground wire, L9.8"	1	
	P10		UL18#, L8"	1	
	GS7R03CH	P11		Aluminum ring Φ2.7"*H0.3"	2
		P12		Plate Φ1.8"*T0.1"	2
P13			Glass shade Φ5.9"*H5.7"	2	

"L" = Hot wire

"N" = Neutral wire

"E" = Ground wire